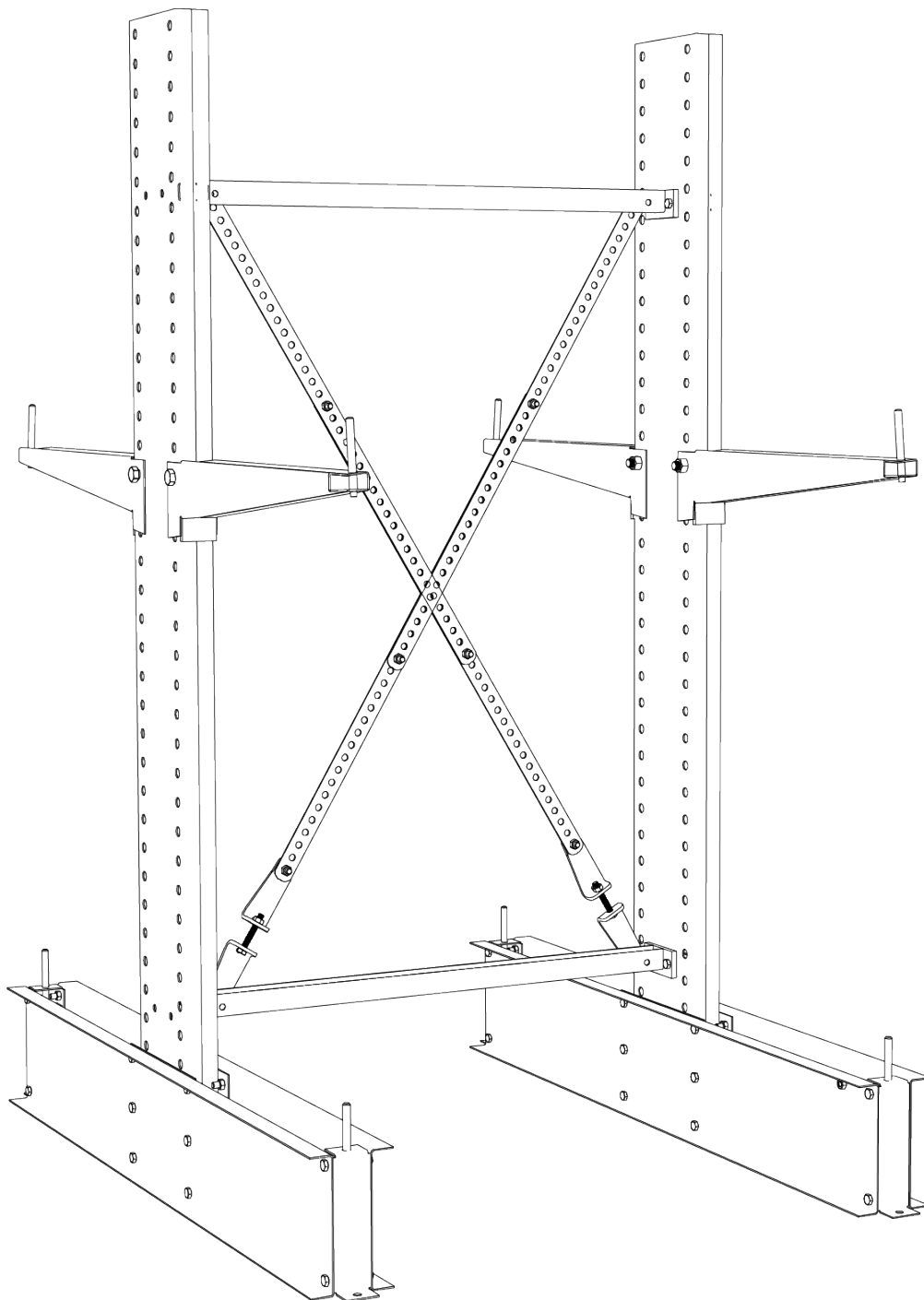
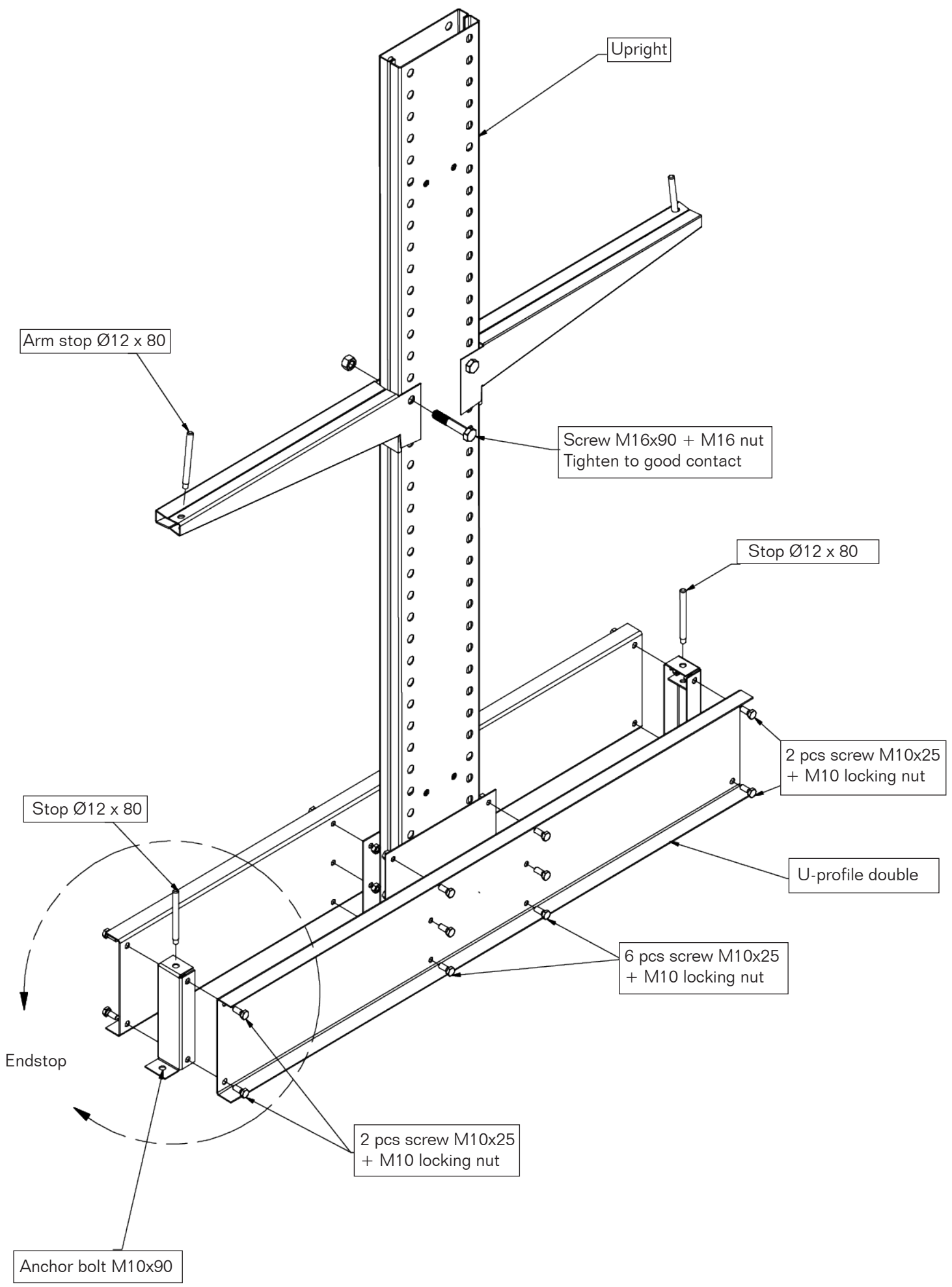


Assembly and users manual

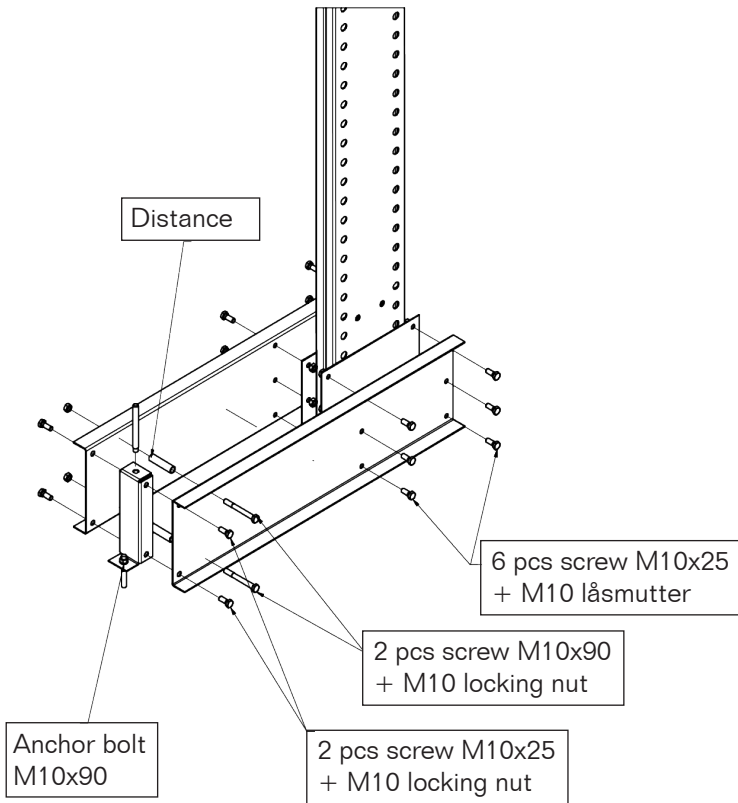
Cantilever racking

Light-duty model





SINGLE FOOT



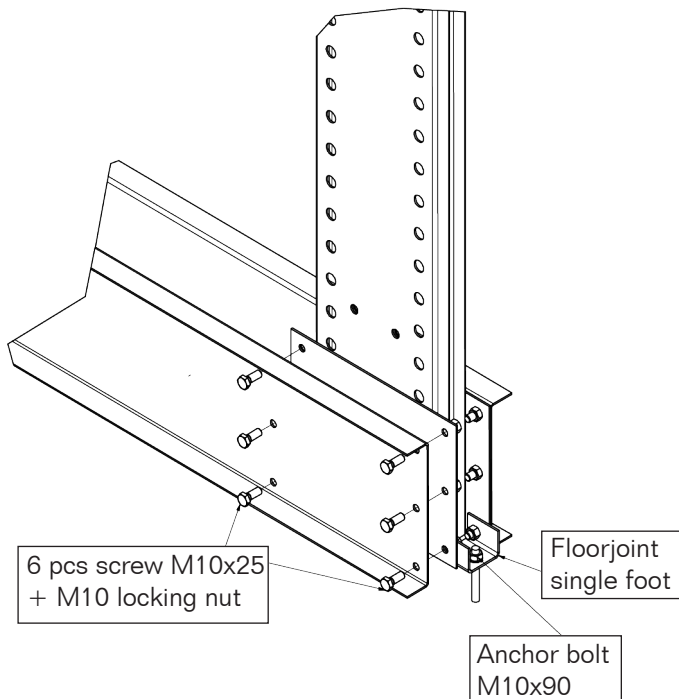
Tightening Torque
 Screw M10 8.8
 Lock nut M10 class 8
 Tighten screw joints for good contact
 Max tightening torque 47 Nm

Expansion anchors
 M10x90 Hilti HST
 Drill hole Ø10 - 80 mm
 Min. mounting depth 69 mm
 Max. thickness fastened 10 mm

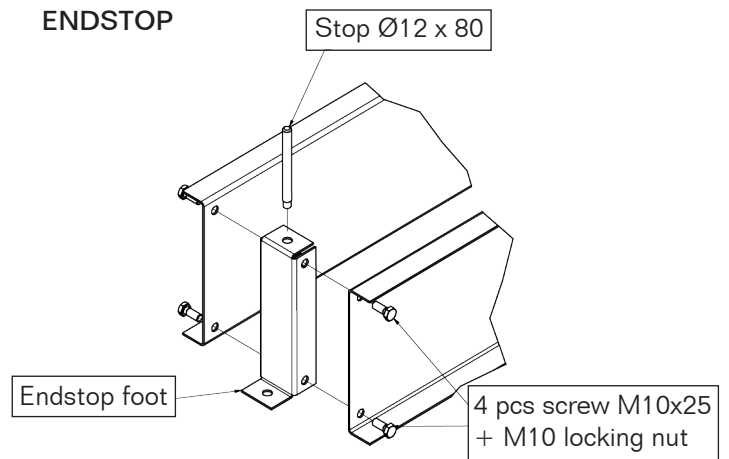
Contact EAB for advice if the racking is to be erected on other surface than concrete floor.

DETAILS

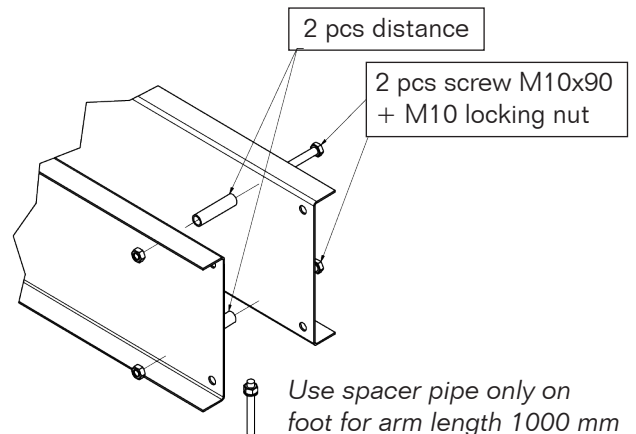
FOOT



ENDSTOP

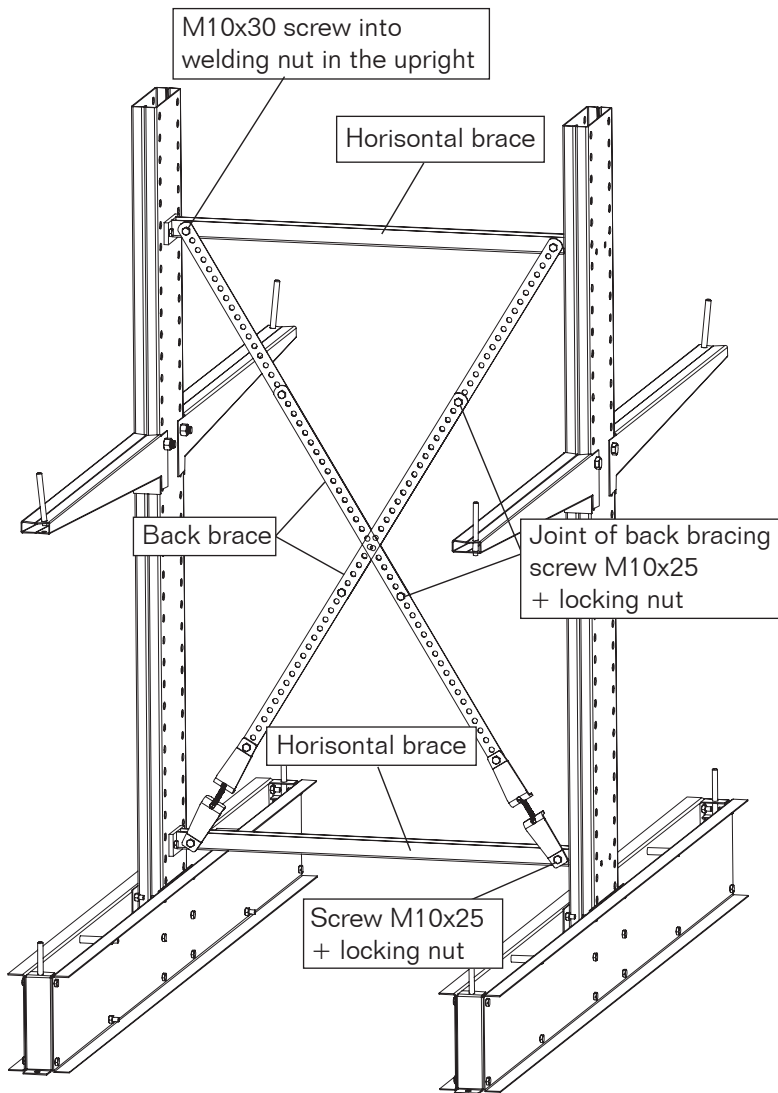


DISTANCE



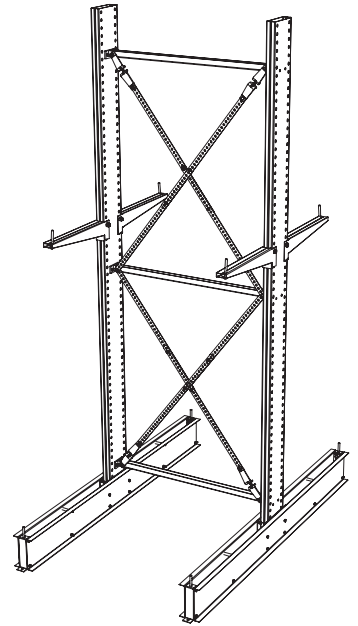
BRACING

Upright height 2000, 2500 and 3000

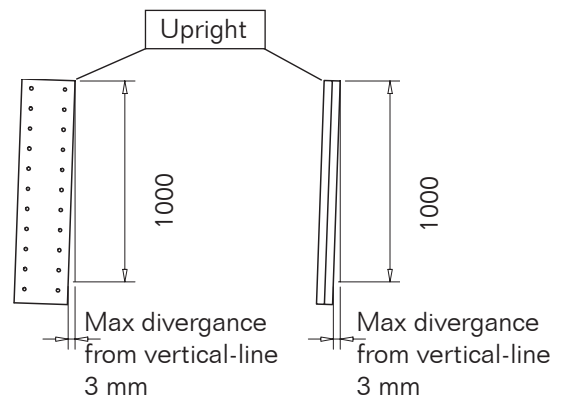


DOUBLE BRACING

Upright height 3500 and 4000

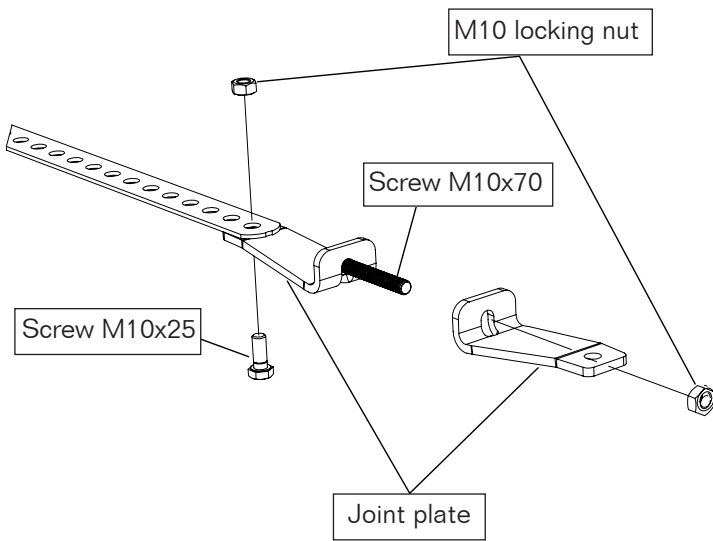


TOLERANCES



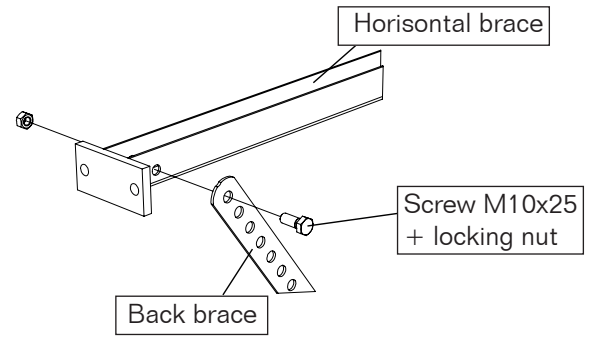
Max gradient of an unloaded upright 3 mm/m

JOINT PLATE

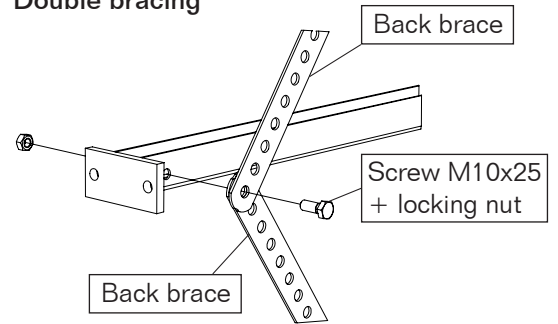


BACK BRACING

Single bracing

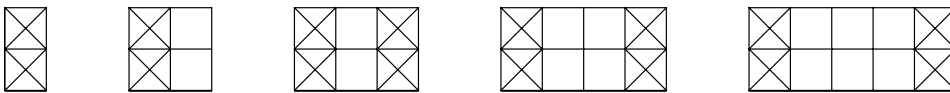
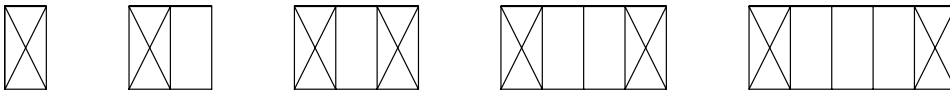


Double bracing



The number of sections with cross braces = $\frac{\text{number of uprights}}{3}$ round up

Ex.



2 uprights

3 uprights

4 uprights

5 uprights

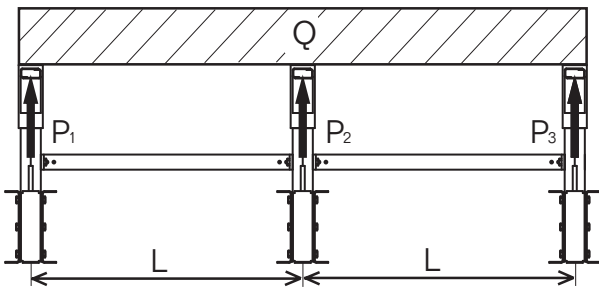
6 uprights

The number of back braces at each section

C/C Upright	Upright height 2000		Upright height 2500		Upright height 3000		Upright height 3500		Upright height 4000	
	Brace length		Brace length		Brace length		Brace length		Brace length	
	1000	1500	1000	1500	1000	1500	1000	1500	1000	1500
1000	4		4		2	2	8		8	
1250	4		2	2		4	8		8	
1500	4		2	2		4	8		4	4
2000	2	2		4		4	4	4	4	4

PLACEMENT OF GOODS

Different load cases



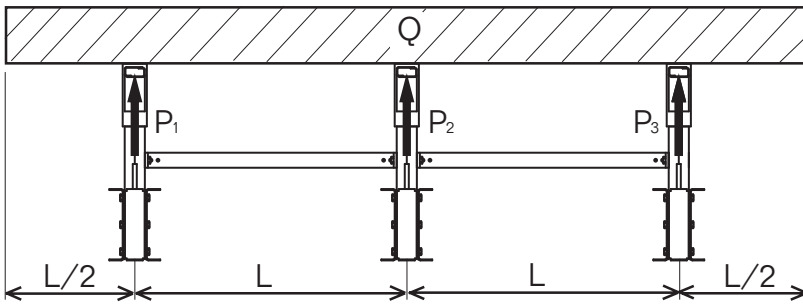
$$P_1 = 0,2 Q$$

$$P_2 = 0,6 Q$$

$$P_3 = 0,2 Q$$

Q = Equal distributed load
 P = Load at each arm

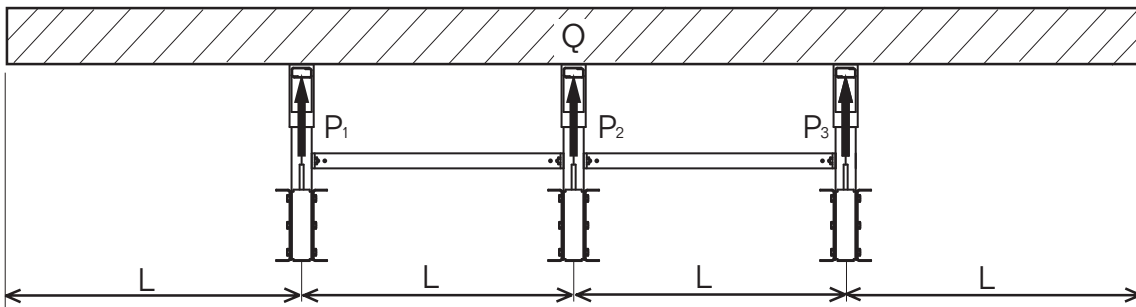
Permitted load see table at the upright.



$$P_1 = 0,35 Q$$

$$P_2 = 0,3 Q$$

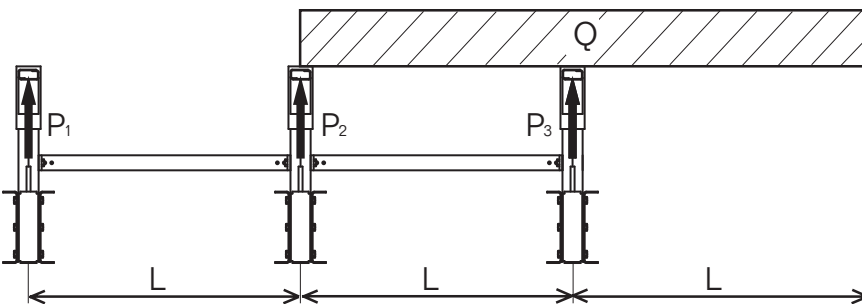
$$P_3 = 0,35 Q$$



$$P_1 = 0,5 Q$$

$$P_2 = 0$$

$$P_3 = 0,5 Q$$



$$P_1 = 0$$

$$P_2 = 0$$

$$P_3 = Q$$

SAFETY IN WAREHOUSES

EABs Cantilever racking employ a proven design, with maximum emphasis on safety and performance. The Cantilever racking fulfill all safety requirements in Nordic standard INSTA 253 (Swedish standard SS 2643) which includes rules for static design, testing, assembly and marking.

Assembly / modification

To ensure safety, it is important that cantilever racking are always assembled in accordance with the instructions given here.

Inspection

Erections inspection

Before starting to use the cantilever racking, it must be inspected in accordance with these instructions and in any special erection drawings.

Regular inspection

Cantilever racking must be regularly inspected in respect of locking devices, bracing, damage by vehicles etc. and anything else that could affect their strength.

Periodic inspection

Cantilever racking must be inspected at least every twelve months to ensure that they continue to comply with these instructions and with any special erection drawings.

Re-inspection

Must always be performed if the positions of the arms and uprights are moved. The purchaser or user is responsible for ensuring that the above inspections are performed.

Cantilever racking Light-duty model

Figures below shows maximum permitted load per column and side excluded load on the feet. Maximum arm load is evenly distributed load.

Upright, height	Maximum permitted load, kg	
	Arm length 600 mm	Arm length 1000 mm
2000 mm	2400	1770
2500 mm	2200	1480
3000 mm	1880	1260
3500 mm	1630	1100
4000 mm	1430	970



SE 333 33 SMÅLANDSSTENAR
TEL +46 371-340 00 www.eab.se